



PRODUCT MANUAL

Adjustable Voltage Protector, A new generation of home appliance protectors, suitable for houses, hotels, buildings, school dormitories, etc., to protect the electrical safety of appliances and other loads, to prevent damage to the load caused by too high or too low mains power.

● Technical data

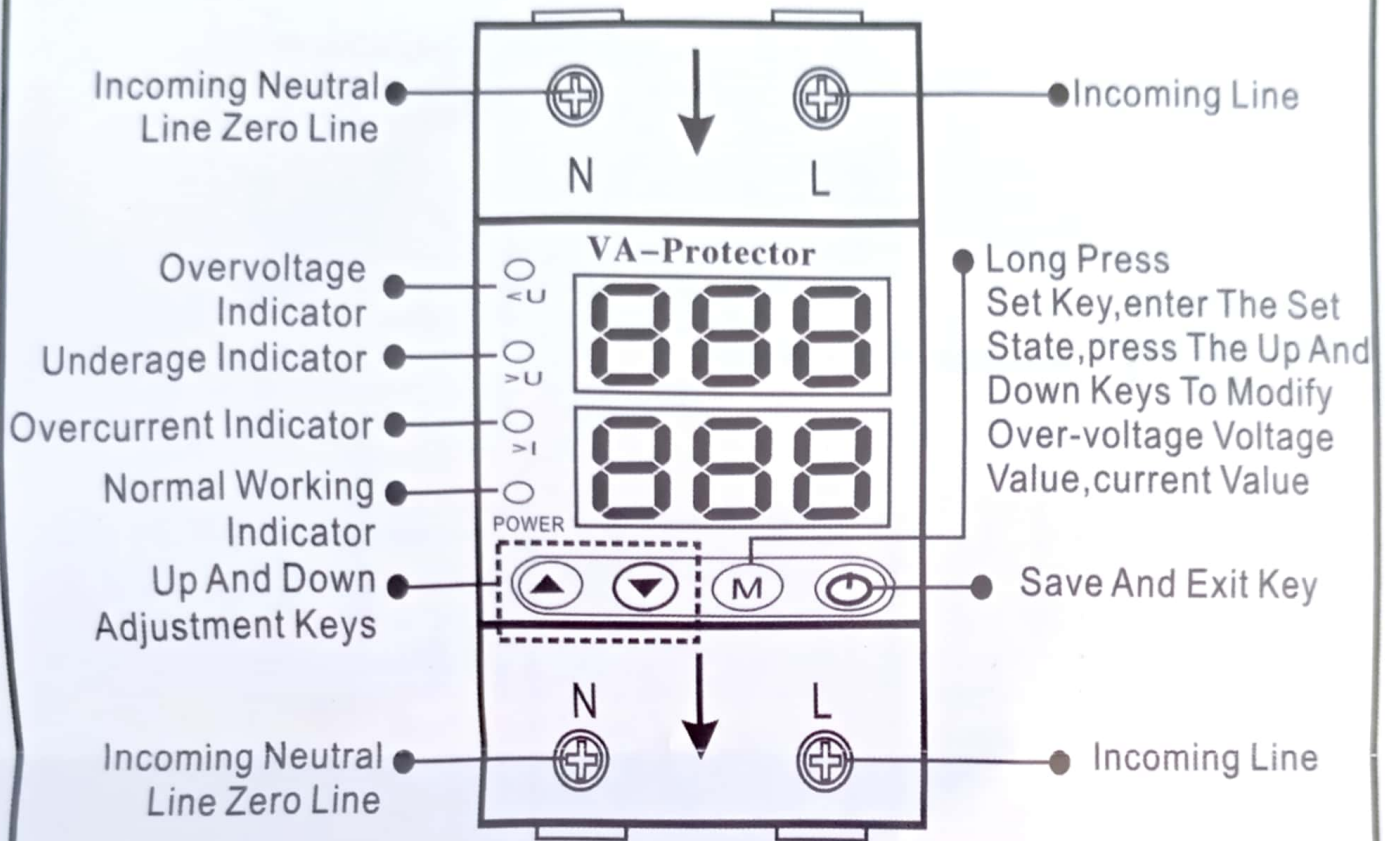
Rated Working Voltage:	AC220V
Operation Voltage Range:	AC80V-400V(Single Phase)
Rated Frequency:	50/60Hz
Rated Working Current:	40A Or 63A
Over-voltage Protection Value:	AC230V-AC300V
Under-voltage Protection Value:	AC140V-AC220V
Voltage Power Off Time:	0-400s
Overcurrent Protection Value:	1-40A, Or 1-63A (V-Protector Don't Have)
Overcurrent Power Off Time:	0-30s (V-Protector Don't Have)
Recover time(Starting Delay Time):	0-400s, Or 0-30s
Own Power Consumption:	≤1.5W
Motor Mechanical Life:	≥100,000 Times
Relative Humidity:	45-90% Rh, 40℃
Altitude:	≤2000M
Pollution Level:	2 Class

● Default setting

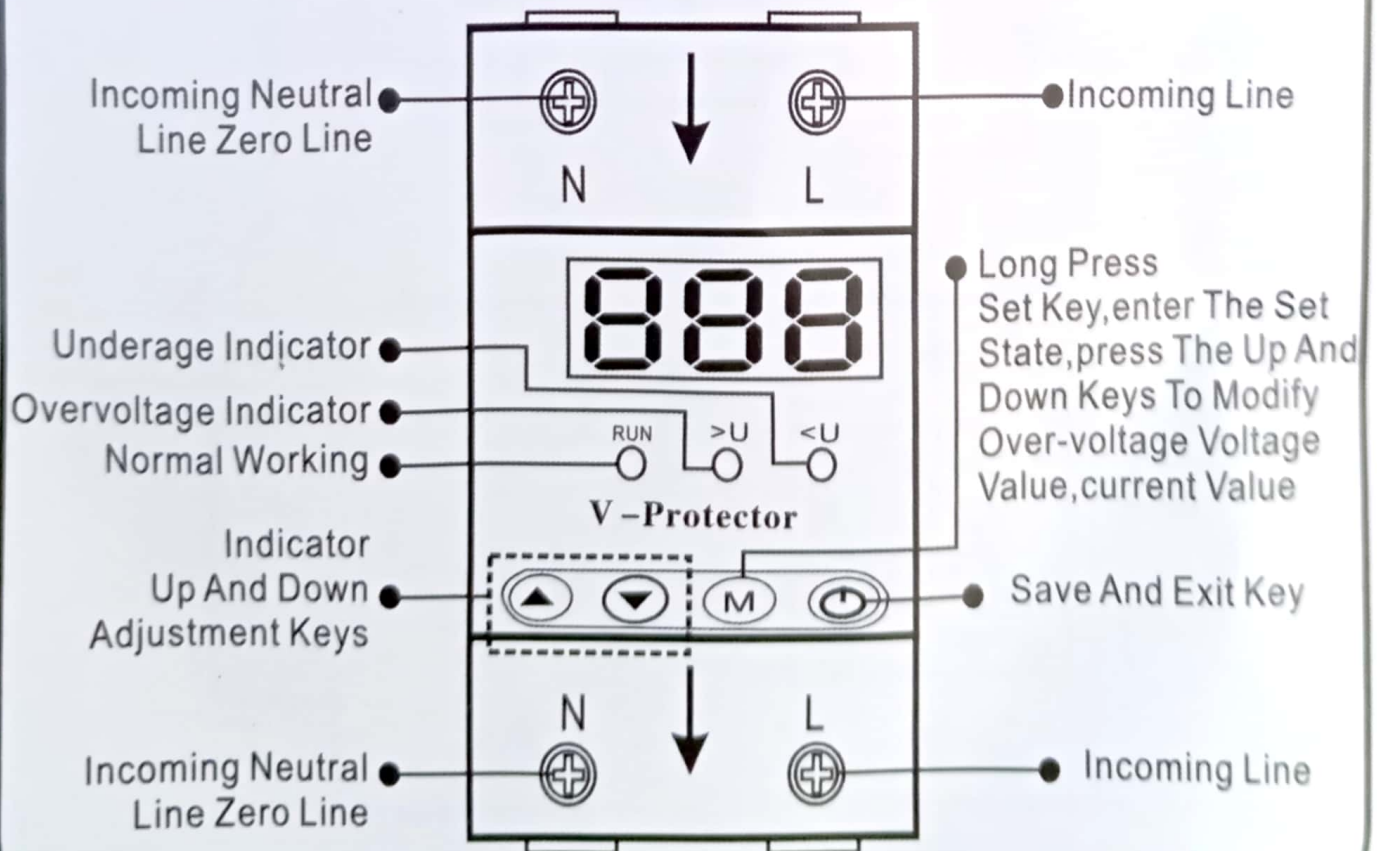
Technical Parameter	Setting Range	Step	Factory Setting
Over-voltage Trip Value	230-300V	1V	270V
Under-voltage Trip Value	210-140V	1V	170V
Overcurrent Trip Value	1-63A	1A	63A
Voltage Power Off Time	1s-400s	1s	2s
Recover Time(Starting Delay Time)	1s-400s	1s	2s
Current Power Off Time	1s-30s	1s	2s

Current Specification	15A	25A	32A	40A	63A
Rated Operating Current (in.a)	15	25	32	40	63
Maximum Operating Current	25	30	40	63	80
Max Power Of Load(kw)	3.6	5.5	7	8.8	13.9

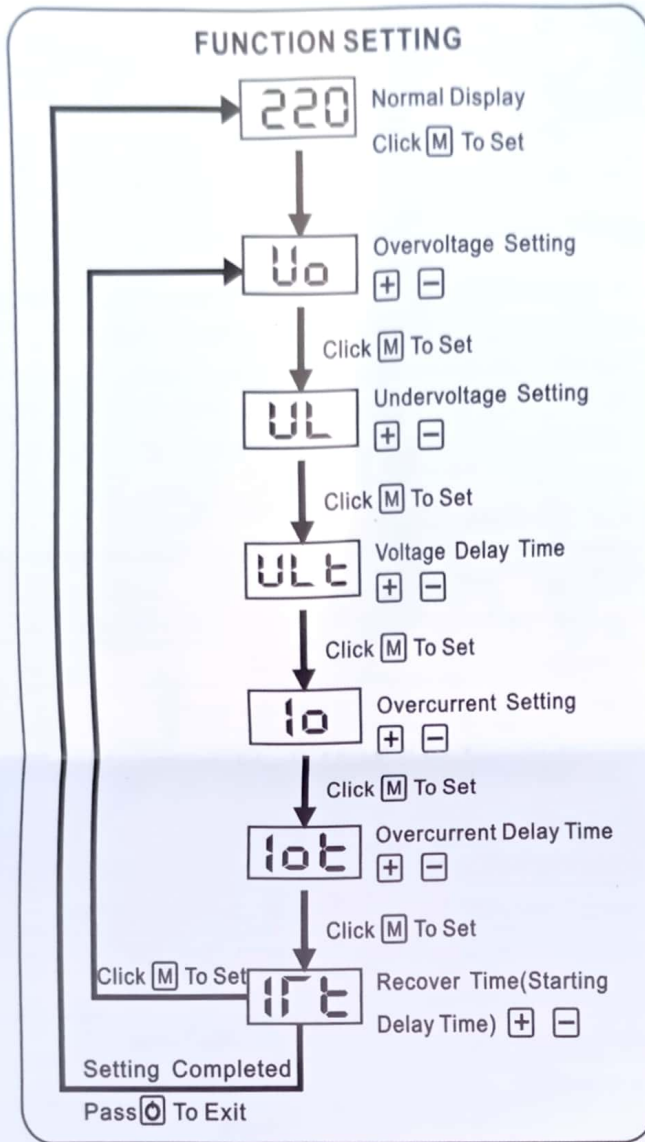
VA-Protector



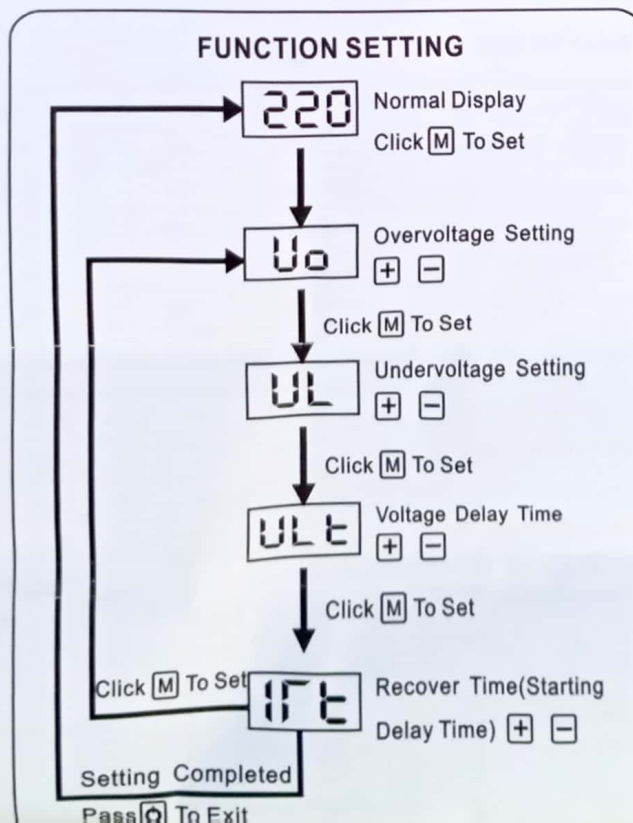
V-Protector



●VA-Protector Function Setting



●V-Protector Function Setting



●Wiring and Shape dimensions

