

YC7V/YC7A/YC7VA

Voltage And Current Protector

1.General

YC7VA -KWH voltage and current electricity metering display relay is a microprocessor-based voltage monitoring device for single-phase AC networks to protect electrical equipment from surge voltage. The device analyzes the main voltage and display its current value on a digital indicator. Load is switched by electromagnetic relay. electricity metering. The use can set the current voltage value and delay time through the button. The value is stored in non-volatile memory. Aluminum wires and copper wires can be used for connection.

2.Application

Voltage and current display relay used in administrative, industrial and residential buildings and has the function of protecting single-phase lines

- Undervoltage protection;
- Overvoltage protection;
- Working under voltmeter mode;
- Electricity metering;
- Overcurrent protection.

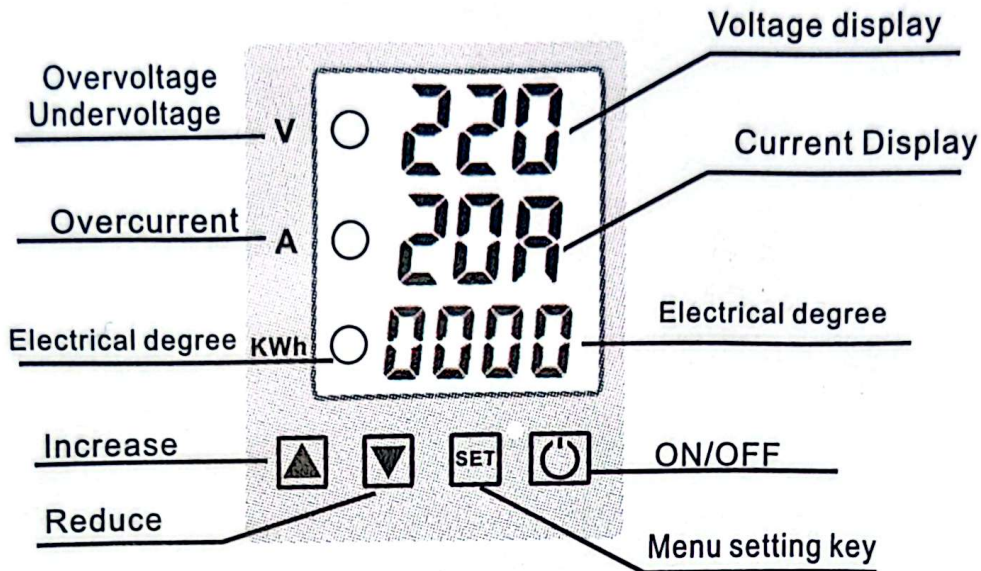
● Technical data

Rated supply voltage	AC 220V
Operation voltage range	AC 80V~400V(single phase)
Rated frequency	50/60Hz
Electric current(>A)setting range	1~63A
Overvoltage(>U)setting range	230~300V
Undervoltage(<U)setting range	80~210V
Error	2%
>U and <U trip delay	0.5S
Reset/start delay	1s~600s
Voltage measurement accuracy	1%(Not exceeding 1% of the overall range)
Rated insulation voltage	400V
Output contact	1NO
Electrical life	10 ⁵
Mechanical life	10 ⁶
Protection degree	Ip20
Pollution degree	3
Altitude	≤2000m
Operatintg temperature	-50℃~55℃
Humidity	≤50%at40℃(without condensation)
Storage temperature	-30℃~70℃

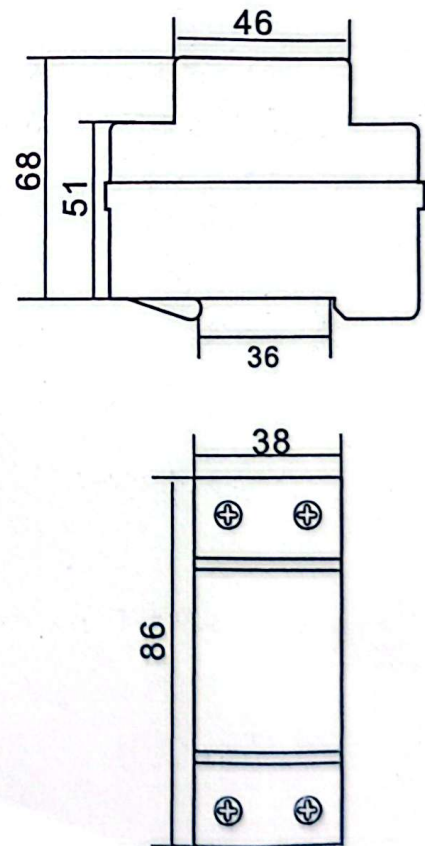
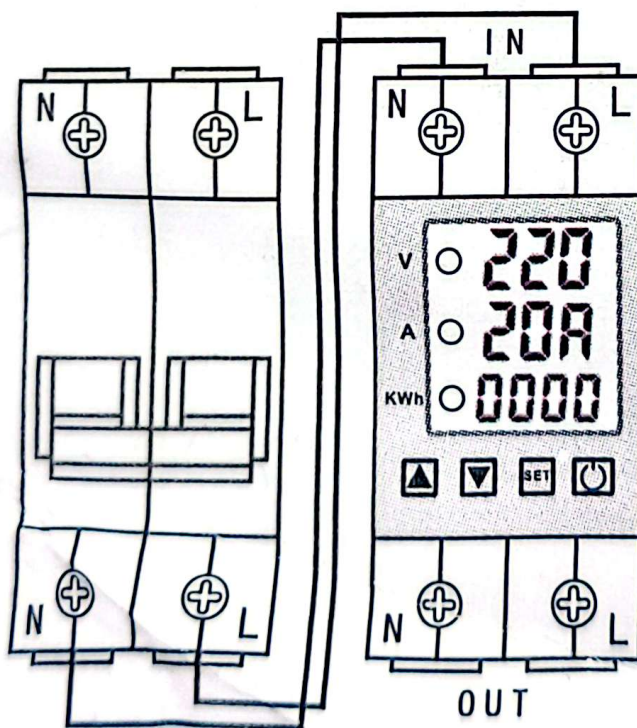
● Default setting

Technical parameter	Setting range	Step	Factory setting
Overvoltage trip value	230~300V	1V	280V
Undervoltage trip value	80~210V	1V	160V
Overcurrent trip value	1~63A	1A	63A
Reset/start delay	1s~600s	1s	30s

Current specification	15A	25A	32A	50A	63A
Rated operating current(In,A)	15	25	32	50	63
Maximum operating current I _{max} (A,within 10min)	25	30	40	60	80
Max.power of load(kW)	3.6	5.5	7	11	13.9



● Wiring and shape dimensions



● Function setting

PL	Power-on delay time
5	1s-600s
PL	Protection recovery delay
30	1s-600s
OL	Over-voltage protection value
280	230V-300V
OLr	Over-voltage recovery value
275	225V-295V
UL	Under-voltage protection value
180	80V-210V
ULr	Under voltage recovery value
185	85V-215V
ULt	Voltage action delay
0.5	0.1s-10s

UAd	Calibration of voltage value
OFF	-9.9V~9.9V
OL	Over-current protection value
63	1~63A
OLt	Over-current protection action time
0.5	0.1s~60s
OL	Times of continuous over current protection
OFF	0~20
CAAd	Calibration current value
OFF	-9.9A~9.9A
OFF	
PL	Watt-hour meter
1	1-999
0	
CLP	CLP 003 Reset setti CLP 006 Reset mete CLP 009 Reset facto



CERTIFICATE

Product Model: YC7VA-KWH series

Standard : EN60947-5-1-2004

Inspector : CNC 001

Production date: Printed on the product
or package.

This product is qualified according
to the delivery inspection

CNC ELECTRIC

Tel: 0086-577-61989999 Fax: 0086-577-61891122

www.cncele.com E-mail: cncele@cncele.com

YC7VA -KWH series

MULTI-FUNCTION PROTECTOR
OPERATION INSTRUCTION

CNC

YC6As/YC6Vs/YC6VAs series

CNC Deliver
Power For Better Life

- ⚠ Before installing and using this product, please read this manual carefully and pay more attention to safety.